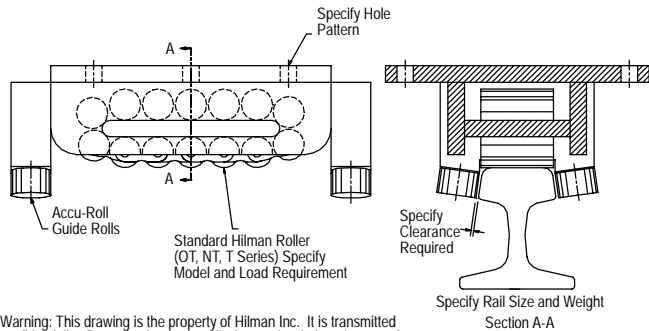


BASIC ACCU-ROLL CONFIGURATIONS

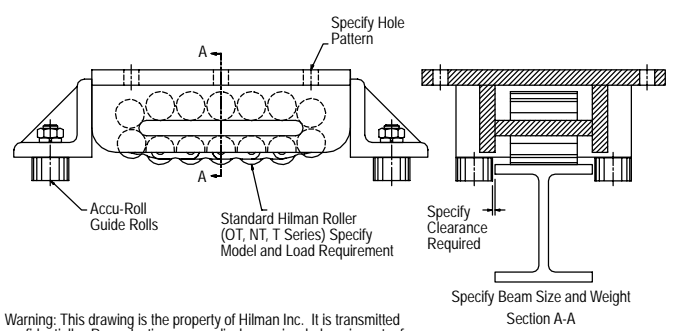
Accu-Roll R - for Rail



Warning: This drawing is the property of Hilman Inc. It is transmitted confidentially. Reproduction, use or disclosure, in whole or in part, of all design and details contained herein is prohibited.

R-101

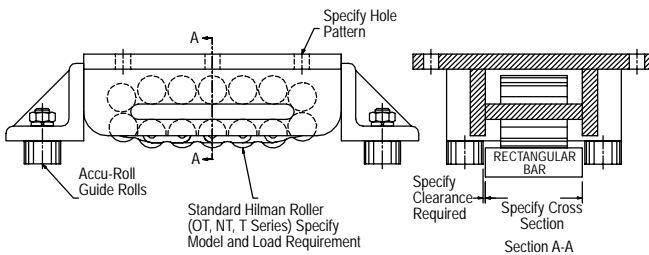
Accu-Roll R - for I-Beam



Warning: This drawing is the property of Hilman Inc. It is transmitted confidentially. Reproduction, use or disclosure, in whole or in part, of all design and details contained herein is prohibited.

R-100

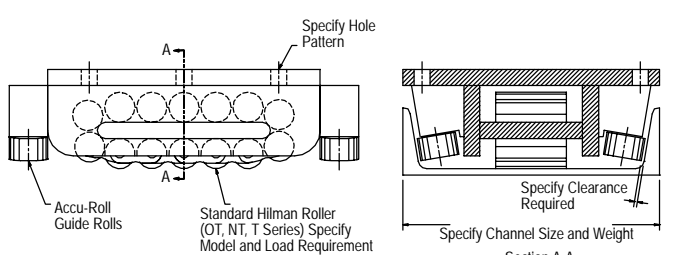
Accu-Roll R - for Flat Bar



Warning: This drawing is the property of Hilman Inc. It is transmitted confidentially. Reproduction, use or disclosure, in whole or in part, of all design and details contained herein is prohibited.

R-103

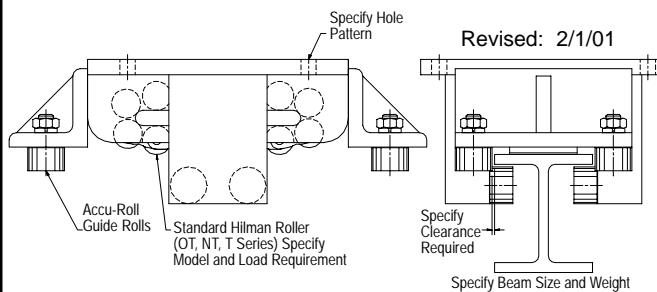
Accu-Roll C - for Channel



Warning: This drawing is the property of Hilman Inc. It is transmitted confidentially. Reproduction, use or disclosure, in whole or in part, of all design and details contained herein is prohibited.

C-100

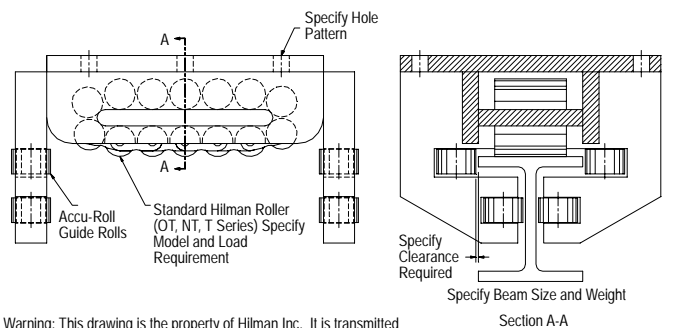
Accu-Roll U - for I-Beam



Warning: This drawing is the property of Hilman Inc. It is transmitted confidentially. Reproduction, use or disclosure, in whole or in part, of all design and details contained herein is prohibited.

U-102

Accu-Roll U - for I-Beam



Warning: This drawing is the property of Hilman Inc. It is transmitted confidentially. Reproduction, use or disclosure, in whole or in part, of all design and details contained herein is prohibited.

U-100

© Copyright 1999. Hilman Inc., Marlboro, NJ 07746



12 Timber Lane • Marlboro, NJ 07746

Tel: 732.462.6277 Fax: 732.462.6355

International Fax: 732.462.3238

e-mail: sales@hilmanrollers.com

BAR/99

Revised 2/1/01