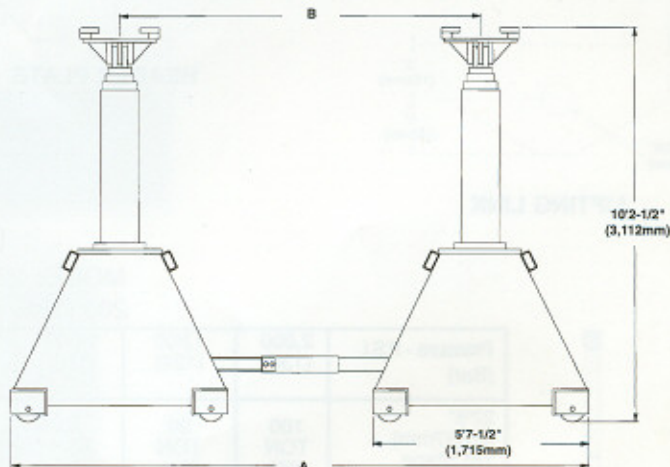




LIFT SYSTEMS

Model 22A, 200 (181) Ton 2 Point Lift Systems
Model 44A, 400 (362) Ton 4 Point Lift Systems



CONNECTING TUBES:
SYSTEM LENGTH RETRACTED/EXTENDED:
 A 13'4-1/8" (4,067mm)/25'8-1/8" (7,826mm)
 B 7'8-5/8" (2,352mm)/20'5-5/8" (6,112mm)
 NOTE: Other lengths available.

SPECIFICATIONS

STANDARD EQUIPMENT

LIFTING UNITS (EACH):

Box design with wheel assemblies retractable from 3'11" (1,194mm) to 3'5-1/2" (1,054mm) to 3' (914mm) width. Eight wheels per unit. Three (3) stage telescopic double-acting cylinder with safety holding valve. Header plate assembly for attaching header beam. One 50' (15,240mm) twinline hydraulic hose assembly.
 *A.S.W.: 5,258 lbs. (2,384kg).

HYDRAULIC POWER SYSTEM (EACH):

200 gallon (757L) or 400 gallon (1,514L) reservoir. Smaller reservoir operates two lifting units. Direct manual hydraulic control valves. Pressure gauges and oil filters. Oil level indicator. Standard power is 220 or 440 volt electric motor, or gasoline engine. Propane, dual-voltage and diesel power are optional.
 *A.S.W.: 3,100 lbs. (1,406kg) - 5,835 lbs. (2,647kg), including 200 gallons (757L) or 400 gallons (1,514L) of hydraulic oil respectively.

CYLINDERS:

Three stage telescopic double-acting cylinders for power up and power down. Long overlaps and close tolerances for maximum strength and stability.

CONNECTING TUBES:

One set consists of two (2) short and two (2) long tube connections. Required for 4 Point configurations.

NOTE:

Specifications are provided in U.S. and (Metric) millimeters. All equipment dimensions, designs, specifications, calculations, etc., as described above, are subject to change at manufacturer's discretion at any time without notice. Weights are approximate and may vary. Data herein is for informational purposes only and will not be construed to guarantee suitability of the equipment for any particular purpose as performance may vary with conditions encountered. Warranty will apply as written in standard contract form upon purchase of equipment.

Capacities are for reference only and must not be used for any serial numbered machine or Lift System. Laminated serial numbered load charts may be obtained from Lift Systems.

OPTIONAL EQUIPMENT

LIFTING LINKS:

100 (90) ton capacity each link. One link per lifting unit. *A.S.W.: 290 lbs. (132kg).

GANG BOX:

30" (762mm) wide x 37" (940mm) deep x 60" (1,524mm) long steel storage box.
 *A.S.W.: 250 lbs. (113kg).

PROPEL CYLINDERS:

Includes one pair of double-acting cylinders for smooth, precise control over heavier loads with a 4' (1,219mm) extension or retraction. Attaching hardware included.
 *A.S.W.: 200 lbs. (91kg).

PLANETARY POWER DRIVE:

Attachment with hydraulic planetary drive and high traction rubber wheels to provide continuous propel for long distance travel. One set drives four lifting units.
 *A.S.W.: 600 lbs. (272kg).

AUXILIARY POWER SYSTEM:

Secondary power source available with 200 gallon (757L) reservoir to operate two lifting units independently of or in conjunction with 4 Point Lift System.
 *A.S.W.: 3,100 lbs. (1,406kg) including 200 gallons (757L) of hydraulic oil.

REMOTE CONTROL:

Electronic remote control will include 100' (30,480mm) control cable or wireless control, electronic control console to control lifting units and portable pedestal or harness.

LIFTING BEAMS:

Consult Factory. Length and weight of lifting beams and cross beams can be furnished to suit customer needs and applications.

RUNWAY:

Consult Factory. Length and weight of runway can be furnished to suit customer needs and applications.

*A.S.W. denotes approximate shipping weight

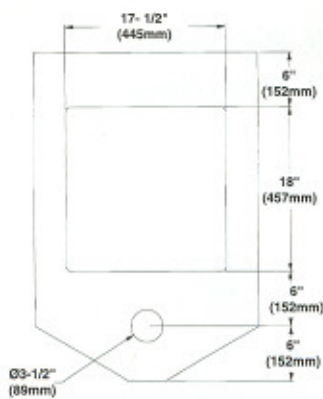
©LIFT SYSTEMS 2002

4 POINT LIFT SYSTEMS AND ASSOCIATED LOGO ARE CLAIMED AS A TRADEMARK BY LIFT SYSTEMS. *PATENTED U.S. 4,527,853. PATENTED U.K. 2,154,543. PATENTS APPLIED FOR IN OTHER COUNTRIES.

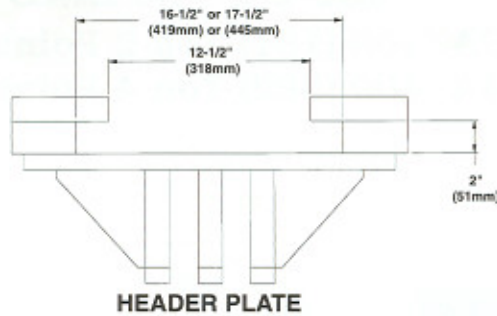


LIFT SYSTEMS
 216 40th St (61265) • PO Box 906
 Moline, IL 61266-0906 USA
 TEL: +1 (309) 764-9842 • FAX: +1 (309) 764-9848
 Web: www.lift-systems.com • Email: liftit@lift-systems.com

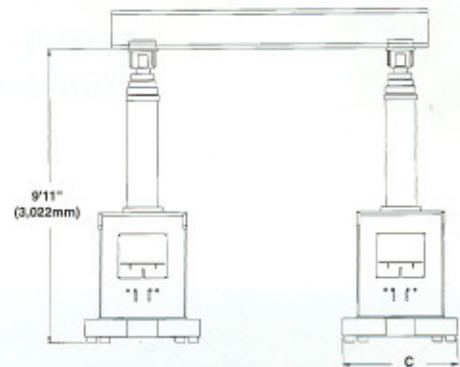




LIFTING LINK



HEADER PLATE



SYSTEM WIDTH (C), EXTENDED:
One side retracted
Both sides retracted

3'11" (1,194mm)
3'5-1/2" (1,054mm)
3'0" (914mm)

LIFT SYSTEMS
MODEL 22A CAPACITY LOAD CHART
200 (181) TON 2 POINT LIFT SYSTEM

22ALC005REV.B
010302

Pressure - P.S.I. (Bar)	2,000 (138)	1,800 (124)	1,600 (110)	1,400 (97)	1,200 (83)	1,000 (69)	800 (55)	600 (41)	400 (28)	200 (14)
27'5" (8,357mm) 3rd Stage	100 TON (90)	90 TON (81)	80 TON (72)	70 TON (63)	60 TON (54)	50 TON (45)	40 TON (36)	30 TON (27)	20 TON (18)	10 TON (9)
21'7" (6,579mm) 2nd Stage	149 TON (135)	134 TON (121)	119 TON (107)	104 TON (94)	89 TON (80)	74 TON (67)	59 TON (53)	44 TON (39)	29 TON (26)	14 TON (12)
15'9" (4,801 mm) 1st Stage	200 TON (181)	186 TON (168)	166 TON (150)	145 TON (131)	124 TON (112)	103 TON (93)	83 TON (75)	62 TON (56)	41 TON (37)	20 TON (18)

9'11"
(3,023mm)

LIFT SYSTEMS
MODEL 44A CAPACITY LOAD CHART
400 (362) TON 4 POINT LIFT SYSTEM

44ALC004
121401

Pressure - P.S.I. (Bar)	2,000 (138)	1,800 (124)	1,600 (110)	1,400 (97)	1,200 (83)	1,000 (69)	800 (55)	600 (41)	400 (28)	200 (14)
27'5" (8,357mm) 3rd Stage	200 TON (181)	180 TON (163)	160 TON (145)	140 TON (127)	120 TON (108)	100 TON (90)	80 TON (72)	60 TON (54)	40 TON (36)	20 TON (18)
21'7" (6,579mm) 2nd Stage	298 TON (270)	268 TON (243)	238 TON (215)	209 TON (189)	179 TON (162)	149 TON (135)	119 TON (107)	89 TON (80)	59 TON (53)	29 TON (26)
15'9" (4,801 mm) 1st Stage	400 TON (362)	373 TON (338)	332 TON (301)	290 TON (263)	249 TON (225)	208 TON (187)	166 TON (150)	124 TON (112)	83 TON (75)	41 TON (37)

9'11"
(3,023mm)

NOTES TO LIFTING CAPACITIES

- Do Not Exceed Maximum Pressure for Each Stage. All capacities are structural; do not exceed under any circumstances. Consult factory with individual application requirements.
- Loads on all charts are in tons. 2,000 lbs. per US ton and 1,000 kgs. per metric ton.
- The Gantry must be plumb and level in all directions. If not level, Stop and Re-level the track and each lifting unit.
- Capacity of lifting beams are not considered and must be calculated by the operator or a professional engineer. Beams must be capable of handling the load, including safety factors.
- Lifting units must be operated on a firm and level surface. Check ground or floor carefully for adequate support.
- Unlock propel mechanism from track when starting to lift loads or setting loads down to allow gantry to center itself with the load. Lock mechanism when load is free of supports.
- Capacities are pressure calculations; Use as a guide only. Capacities are accurate within a reasonable percentage. Allow adequate safety factors to compensate for hydraulic efficiency, oil temperature, and other possible variations.
- Use Caution when traveling with loads while extended. Track must be level and firm to travel with loads.
- Beams must be level during all lifting and lowering of loads.
- Load must be equal on all lifting units. If load is not centered, divide capacity on chart by number of lifting units to arrive at single lifting unit capacity and do not exceed that capacity.