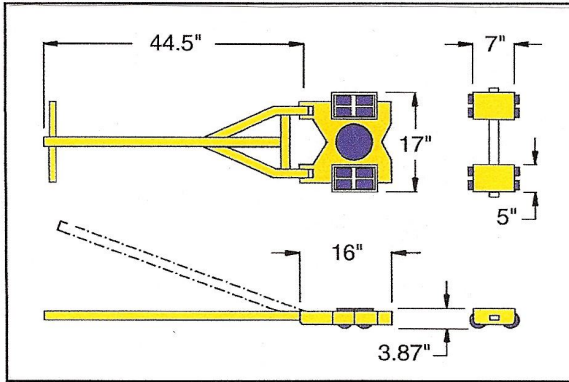


Model E-14

Maximum System Capacity 14 Tons



Steering Dolly

Max. Capacity 14,000 Lbs.
Height 3.87"
Swivel Dia. 5.75"
Weight Assembled 57 Lbs.

Rear Dollies

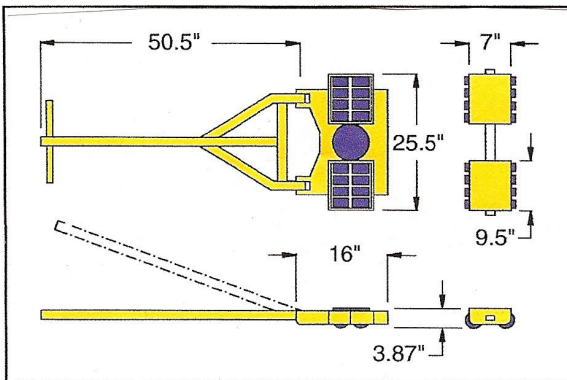
Max. Capacity Ea. 7,000 Lbs.
Height 3.87"
Top Size 5"x 7"
Weight Ea. 13 Lbs.

Steering Handle Length 45"
Alignment Bar Length 45"

Weight 25 Lbs.
Weight 6 Lbs.

Model E-28

Maximum System Capacity 28 Tons



Steering Dolly

Max. Capacity 28,000 Lbs.
Height 3.87"
Swivel Dia. 5.75"
Weight Assembled 90 Lbs.

Rear Dollies

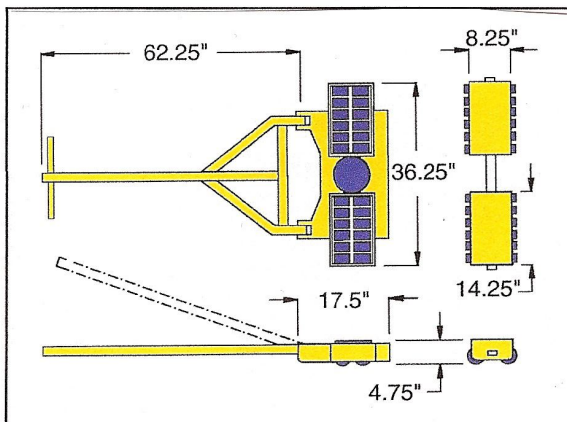
Max. Capacity Ea. 14,000 Lbs.
Height 3.87"
Top Size 9.5"x7"
Weight Ea. 25 Lbs.

Steering Handle Length 51"
Alignment Bar Length 51"

Weight 27 Lbs.
Weight 8 Lbs.

Model E-42

Maximum System Capacity 42 Tons



Steering Dolly

Max. Capacity 42,000 Lbs.
Height 4.75"
Swivel Dia. 6.75"
Weight Assembled 135 Lbs.

Rear Dollies

Max. Capacity Ea. 21,000 Lbs.
Height 4.75"
Top Size 14.25"x8.25"
Weight Ea. 49 Lbs.

Steering Handle Length 64"
Alignment Bar Length 64"

Weight 48 Lbs.
Weight 11 Lbs.